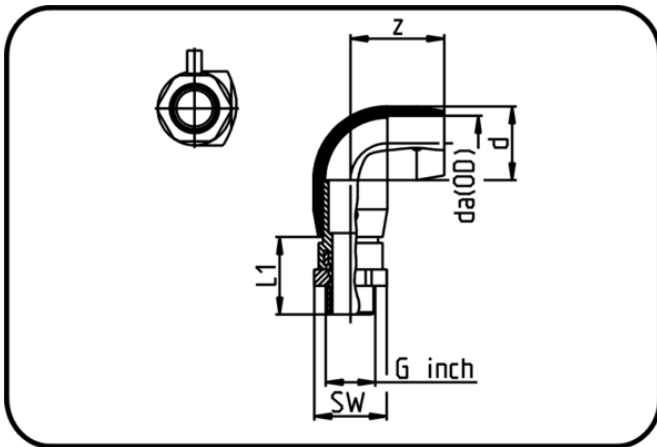


## Electro Fusion Fittings



Code: 186

- E-Adaptor Elbow 90°
- with brass-male thread
- injection moulded
- Electro-fusion
- PE 100-RC black

Dimension	Code	Detail	da(OD) mm	z mm	L1 mm	d mm	SW mm	G inch	Weight
20 X 1/2	70.186.2020.11	20X1/2" SDR 11	20	58	45	30	32	0,5	0.155
25 X 3/4	70.186.2525.11	25X3/4" SDR 11	25	61	46	35	36	0,75	0.196
32 X 1	70.186.3232.11	32X1" SDR 11	32	65	49	42	41	1	0.265
40 X 1 1/4	70.186.4040.11	40X1 1/4" SDR 17-11	40	75	52	53	50	1,25	0.412
50 X 1 1/2	70.186.5050.11	50X1 1/2" SDR 17-11	50	85	55	67	60	1,5	0.617
63 X 2	70.186.6363.11	63X2" SDR 17-11	63	100	62	83	70	2	0.966