

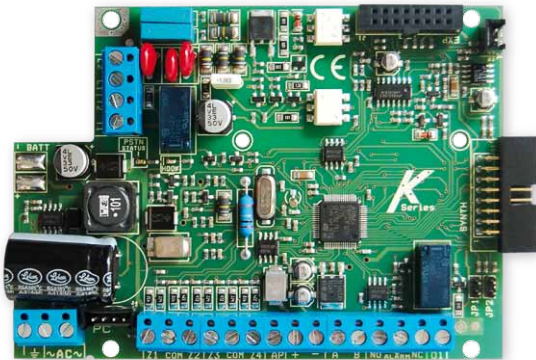
K Series



CONFORM TO EN 50131

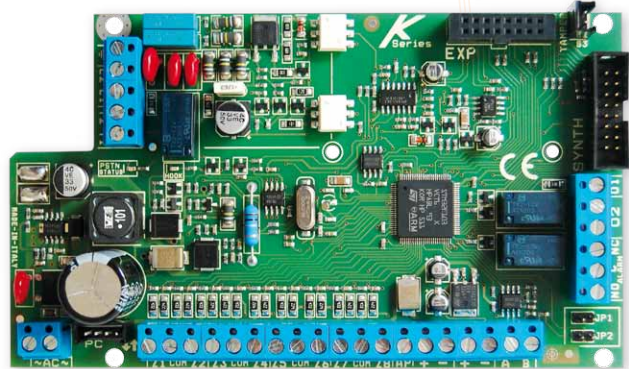
K4

- from 4 to **16** wired zones
- 64 wireless zones



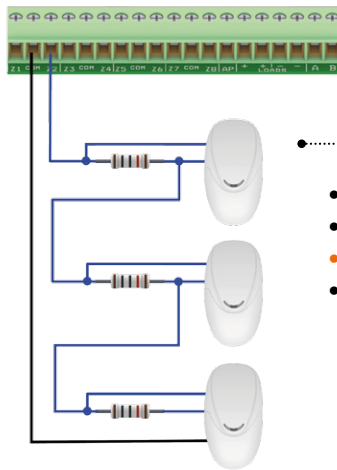
K8

- from 8 to **32** wired zones
- 64 wireless zones



K8plus

- from 8 to **64** wired zones
- 64 wireless zones

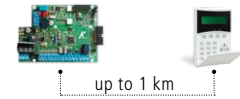


- 1 zone with single / double / triple EOL
- 2 zones with tamper protection
- **3 zones**
- many other configurations

Multisplit zones

(without expansions)

BUS line (4 wires) RS485



up to 1 km

PSTN on board

iOS / Android APP



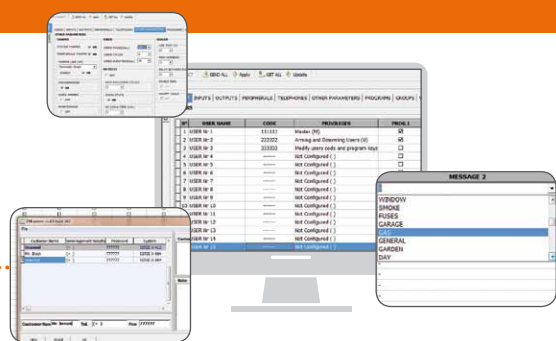
Contact ID on board



Hybrid system
(wired and wireless input)

IP/GPRS/GSM module





Settable by PC

The **K Series** are security control panels for building protection conform to CEI EN 50131-3:2009, CEI EN 50131-6:2008 Grade: 2. The control panel is equipped of 4/8 zones, expandable to 16/64. It is possible to obtain more zones by double and triple EOL split line. K series are able to notify one or more situations of ALARM, ROBBERY, TAMPERING and TROUBLE with different carriers:

- PSTN LINE ON BOARD (voice call, contact ID, SIA fsk, etc.)
- GSM module (voice call, SMS, contact ID, SIA fsk, etc.)
- GPRS module (DC09 IP protocol for contact ID and SIA IP)
- IP module (DC09 IP protocol for contact ID and SIA IP)

The panel can be controlled by new App AMC MANAGER (iOS / Android) with IP module and/or GPRS module. The programming can be made local with keypad and/or PC software, local with cable and remote via AMC Cloud.

Technical Features			
	K4	K8	K8 PLUS
ZONES	4 - 16 wired, split double, triple EOL	8 - 32 wired, split double, triple EOL	8 - 64 wired, split double, triple EOL
WIRELESS ZONES	64 zones	64 zones	64 zones
OUTPUTS	2 on board - expandable to 8	2 on board - expandable to 8	2 on board - expandable to 17 (with expansion and keypad)
USER CODE / TAG / REMOTE	32 users	32 users	64 users
PARTITIONS	4	4	8
GROUPS	4	4	4
KEYPAD	4	4	8
TAG READER	4	4	8
EVENT MEMORY	1000	1000	1000
PHONE NUMBERS SMS/CALLS	8 for SMS and private calls	8 for SMS and private calls	8 for SMS and private calls
PHONE FOR DIGITAL PROTOCOLS	4 numbers with another 4 for backup	4 numbers with another 4 for backup	4 numbers with another 4 for backup
CARRIERS	PSTN on board, GSM/GPRS module, IP module	PSTN on board, GSM/GPRS module, IP module	PSTN on board, GSM/GPRS module, IP module
OTHER INPUTS	TAMPER line / mechanical antiopening tamper	TAMPER line / mechanical antiopening tamper	TAMPER line / mechanical antiopening tamper
PC SOFTWARE	YES	YES	YES
REMOTE MANAGEMENT IP - GPRS	HTML page apps (Apple - Android)	HTML page apps (Apple - Android)	HTML page apps (Apple - Android)
TIMERS	4 per day week	4 per day week	4 per day week