



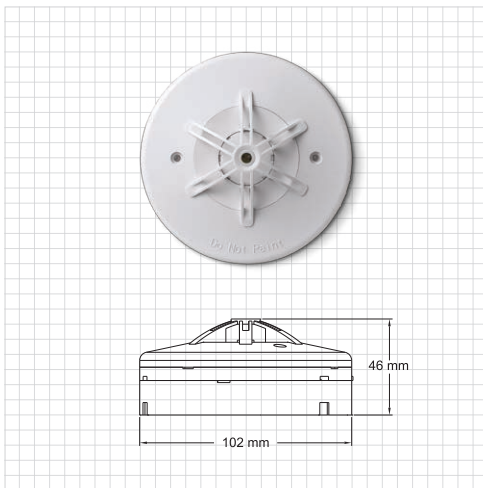
Q06

Heat Detector

Characteristics

- The standard detector is 2-wire or 3-wire. For 4-wire type just add one relay output module on 3-wire base. Simple and easy module placement enables wider application and flexible stock control.
- Detector is made of high endurance, solid and colorfast Fire-proof plastic.
- Non-loosening screws on base terminal for easy installation.
- Detector has passed strict EMC test, which greatly eliminates false alarms caused by interference from nearby sources.
- Dual LEDs for 360-degree visibility. Bi-color LED, Stand-by Status: Green; Alarm Status: Red.

Approvals: EN54



Effective alert area

Construction/Height	Under 4M	4M ~ 8M
Fire-proof Building	90 M ²	45 M ²
Ordinary Building	50 M ²	30 M ²

Order information

Q06-2	2-wire
Q06-3	3-wire with remote indicator output
Q06-4	4-wire with relay output

Specifications

Model	Q06-2	Q06-3	Q06-4
Alarm Contact	N/A	N/A	0.8A @30V DC 0.4A @125V AC
Voltage Range	12 ~ 30V DC		
Alarm Current @24V DC 470Ω	40mA	40mA	45mA
Standby Current	20 ~ 95μA		
Thermal Setting	58°C		
Ambient Temperature	-10°C ~ +55°C		
Material	Fire-proof plastic		
Dimensions	102mm(Dia.) x 46mm(H)		
Weight	115g	115g	130g
Color	White		